



Magnetic Door Holders

DH-171SQ Flush-mount

DH-151SQ Surface-mount

The UL Listed SECO-LARM Magnetic Door Holders are designed for virtually any remote door release applications, whether residential or commercial. Fail-safe operation, tri-volt coils, and adjustable armature plate allows for easy and flexible installation.

Features:

- For use with door closers to control the release and closing of residential, commercial, and public area doors
- Adjustable armature plate reduces installation time and adjusts to door alignment changes
- Low profile design
- Holding force – 33-lb (15kg)
- 3 voltages: 12/24 VAC/VDC, and 120VAC
- Cast aluminum faceplate
- No residual magnetism for easy release
- Built-in voltage spike suppressor
- Use with SECO-LARM door closers
- Optional extension bars available: 1/2", 3/4", 1", 2", 3", 4", 5", 6", 7" (13mm, 19mm, 25mm, 50mm, 76mm, 102mm, 127mm, 152mm, 178mm)



DH-171SQ

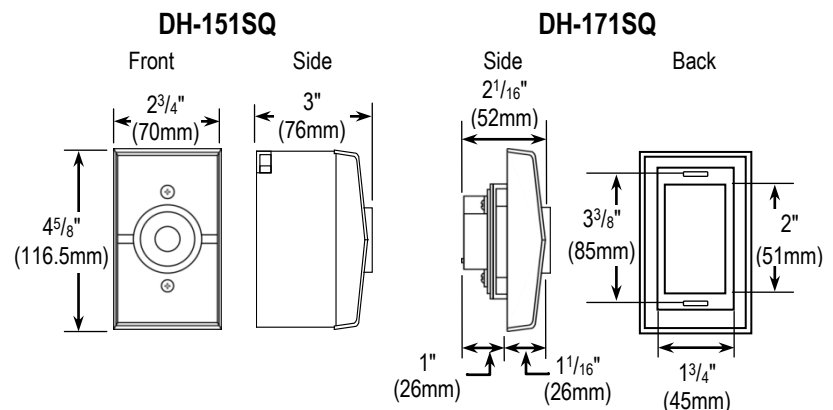


DH-151SQ

Specifications:

Model	DH-151SQ	DH-171SQ
Installation	Surface-mount	Flush-mount
Operating voltage	12/24 VAC/VDC, 120VAC	
Current draw	52mA@12VAC, 60mA@12VDC	
	27mA@24VAC, 31mA@24VDC	
	24mA@120VAC	
Holding force	33-lb (15kg)	
Dimensions	Magnet	2 ³ / ₄ "x4 ⁹ / ₁₆ "x3" (70x116.5x76 mm)
	Armature	2 ⁹ / ₁₆ "x2 ⁹ / ₁₆ "x1 ⁹ / ₁₆ " (65x65x40 mm)
Magnet box weight	1-lb 6.4-oz (635g)	1-lb 1.5-oz (496g)
Door armature weight	8.1-oz (230g)	

Dimensions (magnet only):



SECO-LARM® U.S.A., Inc.

16842 Millikan Avenue, Irvine, CA 92606

Phone: (949) 261-2999 | (800) 662-0800 Fax: (949) 261-7326

Website: www.seco-larm.com Email: sales@seco-larm.com



Copyright © 2017 SECO-LARM U.S.A., Inc. All rights reserved. All trademarks are the property of SECO-LARM U.S.A., Inc. or their respective owners. The SECO-LARM policy is one of continual development. For that reason, SECO-LARM reserves the right to change specifications without notice. SECO-LARM is not responsible for misprints.

SECO-LARM® ENFORCER® CRIMEBUSTER® CBA SLI®